

Product Model: TSS915A

Photoelectric smoke alarm

JBE[®]



Product description:

The unit is a photoelectric smoke alarm device. With the photoelectric technology, it is more sensitive to detecting slow smolder fires which general thick, black smoke and may smolder for hours before bursting into flames. The smoke alarm device does not contain the radioactive material which is harmful to the environment.

A DC 9V External battery and warns you when the battery is low.

With the increase of working time, the alarm detection signal will be decayed, when attenuate to the certain value, the alarm will send a fault signal, you must replace the product immediately.

The test function of the product design is to test whether the product works properly by pressing the test button. Weekly testing is required.

Product main features:

- **Photoelectric smoke alarm device;**
- **Certification test for EN 14604:2005/AC:2008;**
- **Low-Power feature. There are two types of batteries:**
 - 1、 **An external Alkaline Type battery (6LR61) ;**
Five years battery life design, low voltage battery life expiration warning;
 - 2、 **An external Carbon Type battery (6F22) ;**
One year battery life design, low voltage battery life expiration warning.

Details of the product function:

Standby mode: after the product is installed, if the smoke alarm device operate properly, the red LED flashes once every 32 seconds;

Alarm mode: when the smoke alarm device detect particles of combustion and the concentration of

Zhejiang Jiaboer Electronic Technology Co., Ltd.
Product Specification

smoke reaches the alarm threshold, the red LED will flash once per second with pulsating alarm until the smoke is disappeared;

Low battery mode: when the battery voltage below threshold, the red LED will flash once every 32 seconds with a sound of "chrip";

Fault mode: if the alarm detection signal decays below threshold, the alarm chirp occurs without LED flashes every 32 seconds;

Test mode: test the unit to ensure operate properly by pressing the test button. At this time, the red LED will flash once per second with pulsating alarm until test button is released;

NOTE: WEEKLY TESTING IS REQUIRED.

Technical Specifications:

Power Source: DC 9V replaceable battery

Quiescent Current: $\leq 8 \mu A$

Alarm Sensitivity: 0.10-0.16dB/m

Comply With Standard: EN 14604:2005/AC:2008

Alarm Current: $\leq 28mA$

Alarm Volume: $>85dB(A)$ @ 3 meters.

Low Voltage Threshold: $\leq 7.5V$

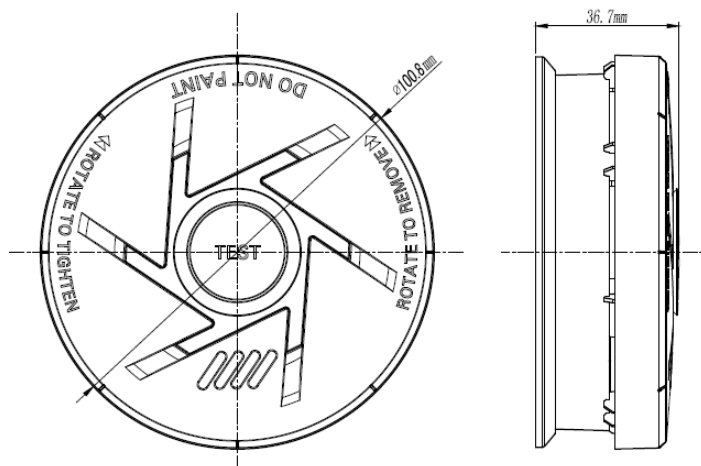
Product Service Life: >10 years

Humidity Range: $< 93\%$ relative humidity (RH)

Temperature Range: $0^{\circ}C$ to $40^{\circ}C$

Sound Pattern: BI 0.5s - pause 0.5s - BI 0.5s - pause 0.5s - BI 0.5s - pause 1.5s, with the RED LED flash, repeat this alarm pattern

Size: 100.8mm in diameter x 36.7mm depth



ZHEJIANG JIABOER ELECTRONIC
TECHNOLOGY CO., LTD

Address: NO.606 South Daqiao Road, Dayuan Town,
Fuyang District, Hangzhou City, Zhejiang Province,
China

Tel: +86-571-63501151

E-mail: sales@jbe-lifepro.com

WEB: www.jbe-lifepro.com

Local Agent: Joshin Kattunilath International Gen.
Trad. & Cont. Co.

E-mail: sales@jkintlkw.com

Mob: +965 65718675